

# Keysight Technologies

## 1181BZ Testmobile System Cart

### Data Sheet

#### Add Mobility to Your Instruments

The Keysight Technologies, Inc. 1181BZ testmobile system cart provides convenient mobility of test equipment to make it readily available when needed and effectively extend the amount of lab bench space. Allows several operators to cost effectively share expensive equipment.

#### Features

- Rackmount any 19" EIA instrument up to 24" deep
- Ergonomic design, test equipment is operator-accessible whether seated or standing
- Heavy-duty casters make moving instruments easy
- Includes a steel buckle and nylon strap to secure instruments to the cart
- Attractive quartz gray color
- Tilt tray adjusts 30-plus degrees for viewing comfort

#### Specifications

- Material: Cold-rolled steel
- Weight: 44.5 kg (98 lbs)
- Casters: 127 mm (5 in) diameter
- Color: Quartz gray
- Tilt Tray Load Capacity: 90.7 kg (200 lbs)
- Total Load Capacity: 226.8 kg (500 lbs)
- Tilt Tray Width: 559 mm (22 in)
- Tilt Tray Depth: 660 mm (26 in)

#### Installation

The 1181BZ is shipped virtually assembled except for its handle. Place the handle in the rear top of the cart and secure with screws provided. Attach the nylon strap on the slots of the instrument tray and thread through buckle.

Tools required for installation:

- Torx T25 screwdriver

#### What You get in the Box

- System cart assembly with tray and casters
- Torx T25 screwdriver
- Tubular handle
- One set of support rails
- All mounting hardware
- Nylon strap with steel buckle
- Installation instructions

#### What Changed

- Color changed from parchment white to quartz gray

#### Related Products

Other testmobiles available are:

- 1180C – Keysight testmobile scope cart
- 1182B – Keysight testmobile instrument cart



## Optional Accessories

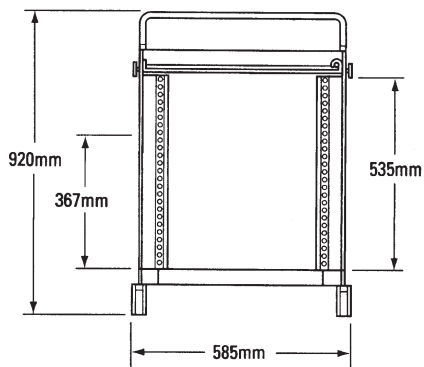
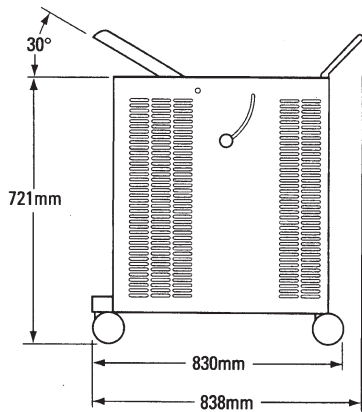
35181HZ	Printer/plotter stand
35181J	Drawer, 3.5 inch
35181KZ	Testmobile work surface
35181E	Antistatic mat for 35181K
35181M	Drawer, 5.25 inch
5181-8723	Support cover/shelf for drawers
5957-8476	Angle rails for rackmounting

## Replacement Parts

1530-2228	Tie-down assembly strap
1492-0153	Caster, swivel with brake

## Warranty

90 day replacement



For more information on Keysight Technologies' products, applications or services, please contact your local Keysight office. The complete list is available at: [www.keysight.com/find/contactus](http://www.keysight.com/find/contactus)

### Americas

Canada	(877) 894 4414
Brazil	55 11 3351 7010
Mexico	001 800 254 2440
United States	(800) 829 4444

### Asia Pacific

Australia	1 800 629 485
China	800 810 0189
Hong Kong	800 938 693
India	1 800 112 929
Japan	0120 (421) 345
Korea	080 769 0800
Malaysia	1 800 888 848
Singapore	1 800 375 8100
Taiwan	0800 047 866
Other AP Countries	(65) 6375 8100

### Europe & Middle East

Austria	0800 001122
Belgium	0800 58580
Finland	0800 523252
France	0805 980333
Germany	0800 6270999
Ireland	1800 832700
Israel	1 809 343051
Italy	800 599100
Luxembourg	+32 800 58580
Netherlands	0800 0233200
Russia	8800 5009286
Spain	0800 000154
Sweden	0200 882255
Switzerland	0800 805353
	Opt. 1 (DE)
	Opt. 2 (FR)
	Opt. 3 (IT)
United Kingdom	0800 0260637

For other unlisted countries:  
[www.keysight.com/find/contactus](http://www.keysight.com/find/contactus)  
 (BP-07-10-14)